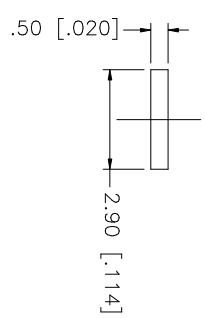
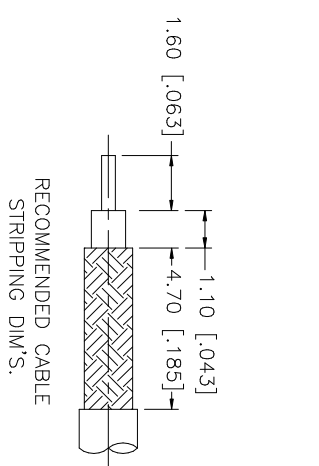
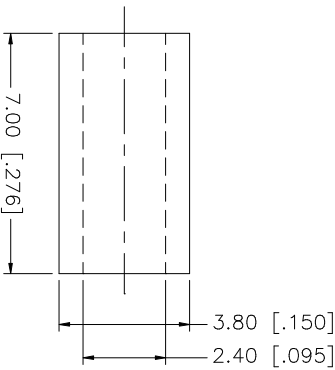
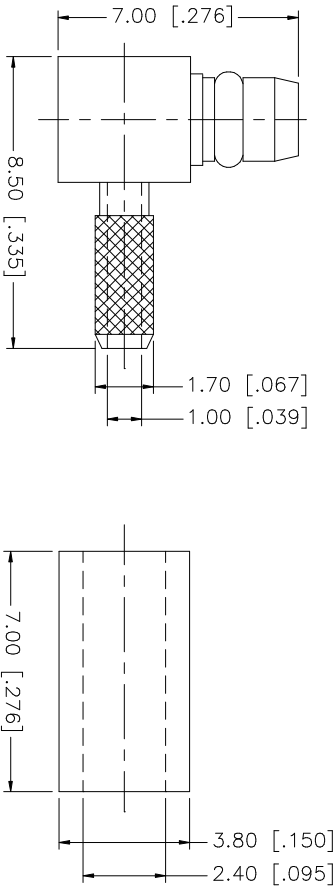


REV.	DATE	DESCRIPTION
B	04/31/03	UPDATE DRAWING FORMAT



- NOTE:
1. CRIMPED FERRULE
HEX CRIMP SIZE .128"
 2. CONTACT PIN TO SOLDER

QTY	DESCRIPTION	MATERIAL	FINISH	QTY	DO NOT SCALE DRAWING	CAO FILE	APPROVALS	DATE	PART DESCRIPTION	DWG. NO.	REV.	SIZE	SCALE
1	INSULATOR BODY	BRASS	GOLD	1		C:/262/262102.DWG	G.R.S.	04/31/03	MMCX R/A CRIMP PLUG (FOR RG-178B/U, 196A/U)	262102	B	A	NA
1	CONTACT PIN	BRASS	GOLD	1									
1	INSULATOR COVER	TEFLON	NATURAL	1									
1	FERRULE COVER	BRASS	GOLD	1									
1	FERRULE	COPPER	GOLD	1									
6													
7													
8													

Amphenol Connex

MMCX R/A CRIMP PLUG
(FOR RG-178B/U, 196A/U)

262102

UNLESS OTHERWISE SPECIFIED DIMENSIONS ARE IN INCHES AND FOR CUSTOMER REFERENCE ONLY.
TOLERANCES FOR MILLIMETERS ARE:
UNLESS OTHERWISE SPECIFIED TOLERANCES FOR INCHES ARE:
0.5 - 8mm ± 0.20mm
8 - 30mm ± 0.40mm
30 - 120mm ± 0.50mm
UNLESS OTHERWISE SPECIFIED TOLERANCES FOR INCHES ARE:
.020 - .315 = ± 0.007"
.315 - 1.180 = ± 0.015"
1.180 - 4.724 = ± 0.020"